

### MODELS

- SSPKCLP\* ..... LOW PROFILE CEILING OR WALL MOUNT SPEAKER WITHOUT STROBE
- SSPK24CLP\* ..... LOW PROFILE CEILING MOUNT SPEAKER WITH SELECTABLE STROBE

### Introduction

The VDOT-SSPKCLP/VDOT-SSPK24CLP is a high quality speaker and speaker/strobe ANSI/UL Listed for fire protective signaling systems. The high intensity strobe utilizes a Xenon flash tube which generates a high-intensity light visible from all sides.

The VDOT-SSPK24CLP strobe is ANSI/UL Listed in compliance with ANSI/UL 1971, Signaling Appliances for the Hearing Impaired.

### Product Information

The VDOT-SSPKCLP/VDOT-SSPK24CLP Series speaker and speaker/strobe offer a choice of field selectable power taps, 1/8, 1/4, 1/2, 1, 2 and 4 Watts for either 25v or 70.7v audio amplifiers.

The VDOT-SSPK24CLP speaker/strobe offers the option of a high intensity strobe which complies with ANSI/UL 1971.

### Location

This appliance is intended for use in fire alarm systems and is to be installed in accordance with this installation manual, the recommendation of the local authorities having jurisdiction, and other NFPA Standards that provide standards on notification appliances for protective signaling systems. The VDOT-SSPKCLP/VDOT-SSPK24CLP Series is intended for indoor installation only. This appliance is not listed for outdoor or drip proof applications.

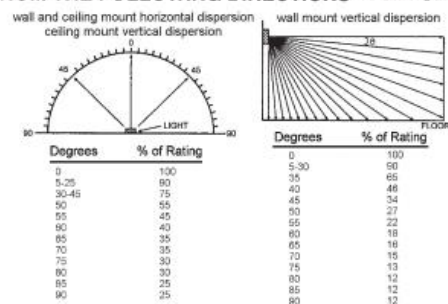
### SSPK24CLP PRODUCT INFORMATION

Room Spacing for Ceiling-Mounted Visible Appliances per NFPA 72, 2013 Edition				
Maximum Room Size		Minimum Required Light Output (Effective Intensity, Cd; One Light)		
		Maximum Ceiling Height		
Meters	Feet	10 Foot Ceiling	20 Foot Ceiling	30 Foot Ceiling
6.10 x 6.10	20 x 20	15	30	55
9.14 x 9.14	30 x 30	30	45	75
13.4 x 13.4	44 x 44	75	75	NA
15.2 x 15.2	50 x 50	NA	NA	95

NA = Not allowable

**Effective Intensity Requirements for Sleeping Area	
Visible Notification Appliance	
Distance from Ceiling to Top of Lens	Intensity
greater than or equal to 24" (610mm)	110 Cd
less than 24" (610mm)	177 Cd

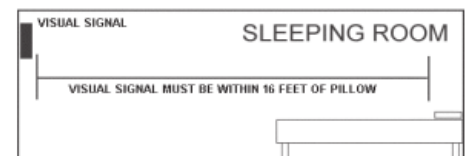
### LIGHT OUTPUT IN PERCENTAGE WHEN MEASURED FROM THE FOLLOWING DIRECTIONS - PER UL1971



- WARNING** Visual signal must be installed within 16 feet of the pillow when used in a sleeping area.
- WARNING** Visual signal must be in the direct viewing area of the occupant in order to be seen.
- WARNING** Visual signal cannot be seen when objects such as doors, furniture or walls block strobe light.

*NOTICE:* VISUAL SIGNALS FOR THE HEARING IMPAIRED ARE ONLY ONE METHOD OF ALERTING THE HEARING IMPAIRED. VISUAL SIGNALS MAY NOT BE THE PREFERRED METHOD FOR NOTIFYING ALL HEARING IMPAIRED INDIVIDUALS.

*NOTICE:* THE STROBE LIGHT MUST BE SEEN BY THE SLEEPING PERSON. IF THE PERSON HAS HEAD TURNED OR OTHERWISE UNABLE TO BE ALERTED BY VISUAL, THE STROBE WILL NOT BE EFFECTIVE.



**WARNING** Visual signal should NEVER be relied upon as the primary fire alert for the hearing impaired under these common sense conditions:

- a. Sleeping face down on the bedding or pillow
- b. Use of sleep medications of any kind
- c. Use of alcoholic beverages or recreational drugs
- d. Use of eye shades
- e. If there are tendencies of deep sleep conditions
- f. If a fire cuts power to AC circuits, the visual signal will not operate
- g. If person is not within line of sight of visual signals

Under these and other similar common situations an alternate fire alert method such as a non-hearing impaired attendant is needed. The visual signal only increases the chance of being alerted to the presence of fire. No system of this type can fully protect the hearing impaired in case of fire.

Electrical Specifications

CLEAR Lens Strobe Current Ratings		
Use with SSPK24CLP Products		
Candela	Regulated 24VDC Max. Operating Current (mA)	Regulated 24VFWR Max. Operating Current (mA)
15	120	190
30	120	191
75	200	277
95	220	298
115	290	418

Field Selectable Power Tap Selection - Reverberant (dBA @ 10ft.)						
Voltage	1/8 Watt	1/4 Watt	1/2 Watt	1 Watt	2 Watt	4 Watt
25 Volts	74.6	77.7	80.5	83.1	85.6	87.9
70.7 Volts	73.7	76.7	79.6	82.5	85.4	87.9

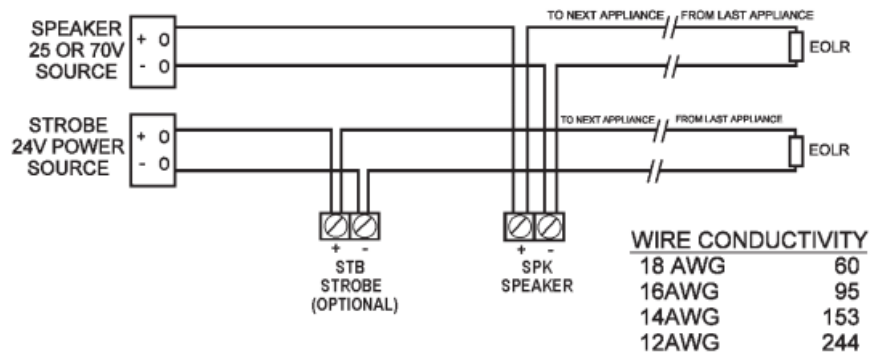
**NOTICE:** DC VOLTAGE RANGE LIMITS: 16-33V. FWR VOLTAGE RANGE LIMITS: 16-33V. THIS PRODUCT WAS ONLY TESTED TO THE STATED VOLTAGE RANGE(S); DO NOT APPLY 80% AND 110% OF THIS RANGE FOR SYSTEM OPERATION.

System Considerations

1. To select the proper wattage input for the speaker, move the jumper to the appropriate pin.
2. Always maintain electrical isolation between speaker and strobe wiring on combination units.
3. Do not exceed 130% of rated speaker voltage. If excessive distortion is heard, check amplifier for signal clipping. If clipping exists, reduce either amplifier input or gain.
4. Four screws are provided, two for securing speaker to the back box and two for aesthetics. The two non-functional screws will be held in place by the pressure fit of the faceplate.

**CAUTION:** WHEN INSTALLING, ROUTE FIELD WIRING AWAY FROM SHARP PROJECTIONS, CORNERS AND INTERNAL COMPONENTS.

**NOTICE:** DO NOT USE LOOPED WIRE UNDER TERMINALS. BREAK WIRE RUN TO PROVIDE SUPERVISION OF CONNECTION.

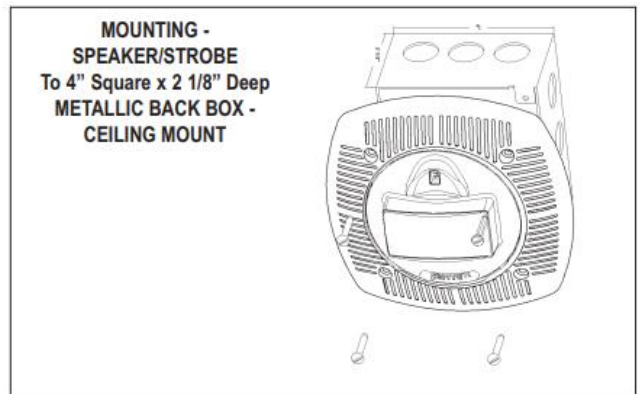
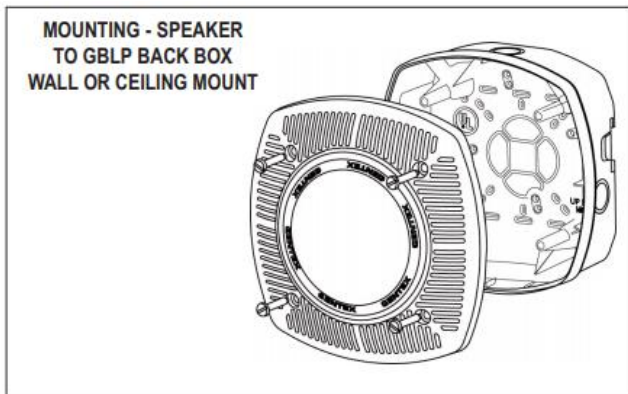


$$\text{*MAX. WIRE DISTANCE (IN FEET) = } \frac{\text{PANEL VOLTAGE - DEVICE MINIMUM VOLTAGE}}{\text{TOTAL CURRENT DRAW}} \times \text{WIRE CONDUCTIVITY (STROBE ONLY)}$$

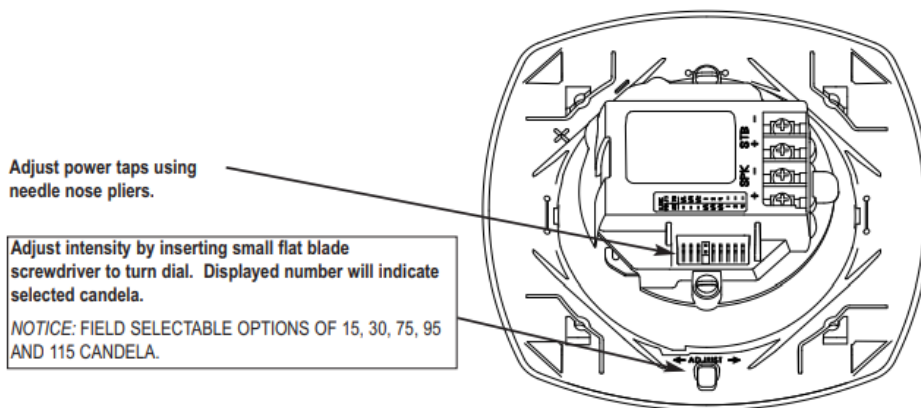
\* INCLUDES WIRE TO AND FROM APPLIANCE.  
 ASSUMES ALL APPLIANCES ARE AT THE END OF WIRE RUN (WORST CASE).  
**CAUTION:** APPLIES ONLY TO REGULATED SUPPLIES.

**NOTICE:** ALL STROBES ARE DESIGNED TO FLASH AS SPECIFIED WITH CONTINUOUS APPLIED VOLTAGE. THIS APPLIANCE IS NOT RECOMMENDED FOR USE ON CODED OR PULSING SIGNALING CIRCUITS. HOWEVER, USE OF THE AVSM CONTROL MODULE IS PERMITTED TO SYNCHRONIZE THE STROBE.

**Mounting Rough-In Box & Run Wiring**



**SSPKCLP FIELD SELECTABLE CANDELA SELECTOR**



**Checkout & Troubleshooting**

1. Supply power to the system control panel. The auxiliary signaling device should not be activated.
2. If the signal is activated: a. Check all smoke and fire detectors in the system to make sure they have not been activated. b. Check all wiring connections to make sure the signal detection circuits are not reversed or shorted together. Check wire color codes and traces.
3. To test the SSPKCLP Series and other signaling appliances, trip the auxiliary panel, activate alarm circuit at the main control panel or activate one of the fire detection units in the system. All auxiliary signals should be activated. 4. An operational test on this product should be conducted in accordance with National Standards or at a minimum annually and more often if dictated by local and state codes or authorities having jurisdiction.

**SIGNALING APPLIANCE LIMITATIONS:** Your speaker meets or exceeds current audibility requirements of Underwriters Laboratories. However, if the appliance is located outside a bedroom it may not wake up a sound sleeper, especially if the room door is closed or only partially open.

**WARNING**

*THIS APPLIANCE WILL NOT OPERATE WITHOUT ELECTRICAL POWER. AS FIRES FREQUENTLY CAUSE POWER INTERRUPTIONS, PLEASE DISCUSS FURTHER SAFEGUARDS WITH YOUR LOCAL FIRE PROTECTION SPECIALIST.*

**Limited Warranty**

Velocity Detection over Time Zeta Alarms Ltd declares that this product is free from defects in material and workmanship and it will repair or replace any product or part thereof which proves to be defective in workmanship or material for a period of twelve (12) months from the date of purchase but not to exceed eighteen (18) months from the date of manufacture. Please contact Velocity Detection over Time Zeta Alarms Ltd directly for a return merchandise authorization (RMA) number before returning goods under warranty. Shipment must be prepaid and Velocity Detection over Time Zeta Alarms Ltd will repair or replace the product if the failure was caused by a manufacturing defect.