

Description

There are many applications for the ZT-MNS-100BAS voice evacuation system where additional audio power above 100 Watts is required. For these applications, the ZT-MNS-100APB Audio Power Booster provides an additional 100 Watts of audio output through four (4) Class A or B, power limited, supervised 25 VRMS speaker outputs. Additional ZT-MNS-100APB units may be daisy-chained for virtually unlimited power output for coverage of large areas.

The audio is provided by the Primary ZT-MNS-100BAS system in parallel with each APB unit. Control of the Secondary ZT-MNS-100APB unit is by a contact closure from the previous unit, which can be the Primary or another ZT-MNS-100APB unit. All wiring and connections are fully supervised.



Features

- 100 Watt, highly efficient Class D digital audio amplifier
- 4 Speaker Circuits (Class A or B wiring)
- Supervised dry contact closure primary activation input

Description of Other Optional Accessories

70 VRMS Speaker Output

Compensate for audio power loss due to long speaker runs by installing the ZT-MNS-70V-XFMR 70 Volt Transformer.

The transformer is contained in a small external cabinet that connects to the ZT-MNS-100BAS. All speaker circuits maintain active supervision and provide full output power.

(For more information, refer to the ZT-MNS-70V-XFMR data sheet.)

Common Alarm and Trouble Relays

The ZT-MNS-3-REL 3-Relay Card provides 3 Form-C relay contact outputs to signal external devices in the system.

The three outputs are typically used as Active and Trouble indicators, with the third used for other applications.

(For more information, refer to the ZT-MNS-3-REL data sheet.)

Other Optional Accessories

ZT-MNS-70V-XMFR	70 Volt Transformer Kit
ZT-MNS-3-REL	Common Alarm and Trouble 3-Relay Card

Specifications

Standard Configuration; no options installed. For specifications on options, please refer to their individual data sheets. Specifications are subject to change without notice due to product improvements.

Interface

Inputs

Primary activation 1; supervised dry contact closure rated for 24 V_{DC}, 10 mA

Audio 600 to 3600 Hz frequency response
25 V_{RMS} speaker-level; transformer isolated input

Outputs

Audio 100 W; 25 V_{RMS} (70 V_{RMS} Optional)

Speaker circuits 1; power-limited to 60 W
3; power-limited to 25 W each with total power not exceeding 100 W
10 KΩ EOLR continuously monitored

Indicators

LED power (green)
active (red)
system fault (yellow)

LED bar graph audio level; yellow 4-segment

Power Supply

Primary Power 120 V_{AC}, 60 Hz; 5 A nominal
Internal Power Supply 24 V_{DC} regulated
External Power Supply 24 V_{DC} regulated; Listed for Fire Alarm Use

Internal Battery Backup

Capacity Up to 12 A-Hr (not included)
Standby Mode 24 hours
Alarm Mode 15 minutes
Recharge Time 48 hours

Installation

surface or semi-flush mount;
between 16" O.C. studs

Enclosure

indoor; 18^{-5/8}"h x 14^{-3/16}"w x 4"d;
painted steel

Temperature Range

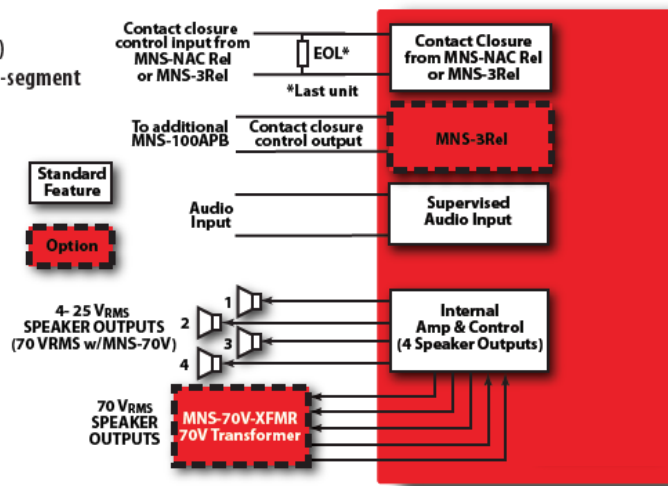
32°F to 120°F (0°C to 49°C)

Humidity

90% maximum, non-condensing;

Approvals/Listings

ETL Listed for UL 864 9th Edition (Control Units and Accessories for Fire Alarm Systems) and UL 1711 4th Edition (Amplifiers for Fire Protective Systems)



All specifications are subject to change without any notice. For more information, contact Velocity website.

Distributed By:



Zeta Alarms Limited
72-78 Morfa Road, Swansea.
SA1 2EN
Tel: +44 1792 455 175 Fax: 1792 455 176