



Before Installation

Please read these instructions carefully and keep for future reference.


The information in this document is subject to change without notice. For updates please refer to our website.

 CAUTION

Do not use the products outside the rated power supply voltage range specified in the Specifications. It may cause a fire or damage to equipment.

 CAUTION

Do not disassemble, repair, or modify the products. It may cause a fire or electric shock.

 CAUTION

Make sure to turn the power off before commencing any wiring work. Otherwise it may cause electric shock or damage to equipment.

Note: Follow the requirements for the installation of the products in accordance with the Specifications. Otherwise it may cause malfunction.

Note: Do not install the product in any location where oil, dust, iron powder, chemicals, or hydrogen sulphide may occur or affect the product. It may cause damage to equipment.

Section 1 – INTRODUCTION

VDOT-UB4 series base is detector base which is designed to be used with the model VDOT-PY, VDOT-PYH, VDOT-DPH, VDOT-H2 &VDOTH2(-H) detector series heads. The series includes VDOT-UB4, which is 4 inch standard base, and EVA-UB4-6, which is 6 inch standard base.

The terminals of the base are used depending on the detector heads.

12 – 20 AWG field wire can be connected to the terminals.

VDOT-UB4 is mounted to a 3-1/2" octagonal electrical box.

VDOT-UB4-6 is mounted to a 3-1/2" and 4" octagonal electrical box, or 4" square electrical box.

VDOT-UB4-6 can be also used to cover larger opening around an electrical box.

Section 2 – TERMINALS

VDOT-UB4 / VDOT-UB4-6 are supplied with 4 terminals as standard.

The terminals of the bases are configured as the table below:

Terminal	Description
1	SLC positive
3	Not used
5	Not used
6	SLC negative

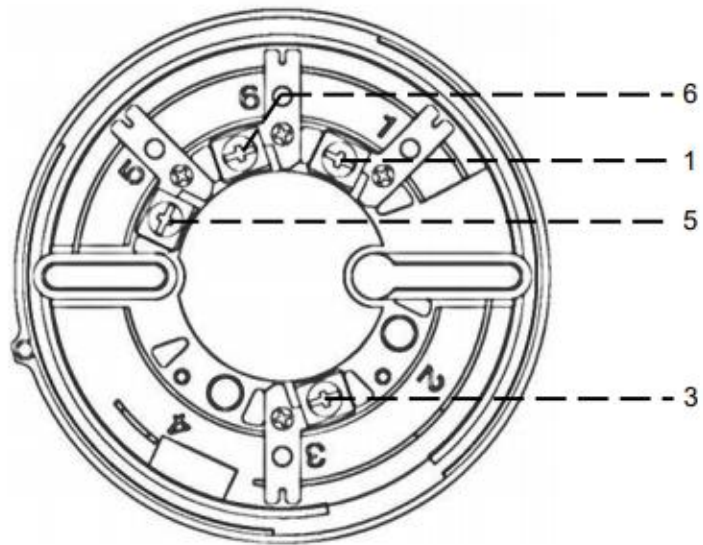


Figure 1: Position of terminals (EVA-UB4)

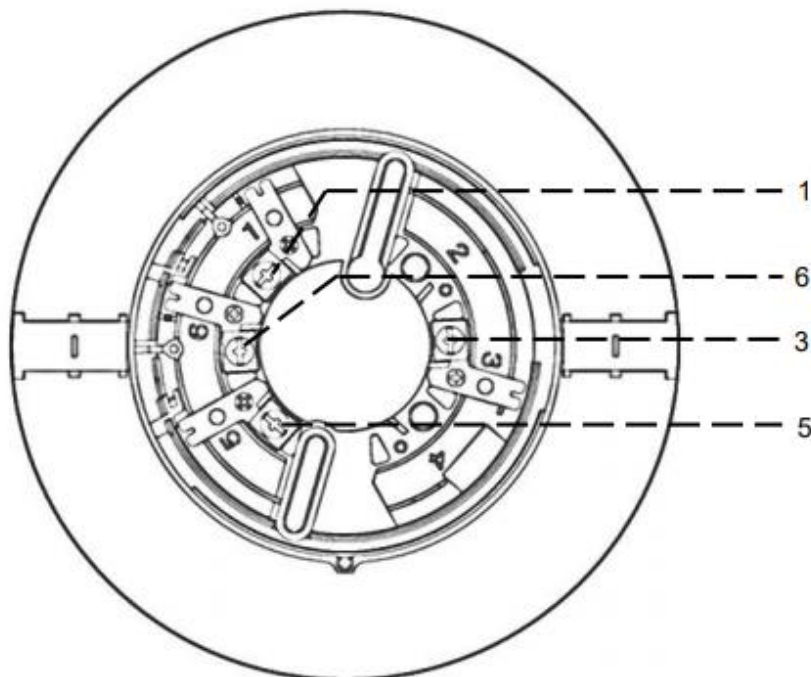


Figure 2: Position of terminals (EVA-UB4-6)

Section 3 – Dimensions

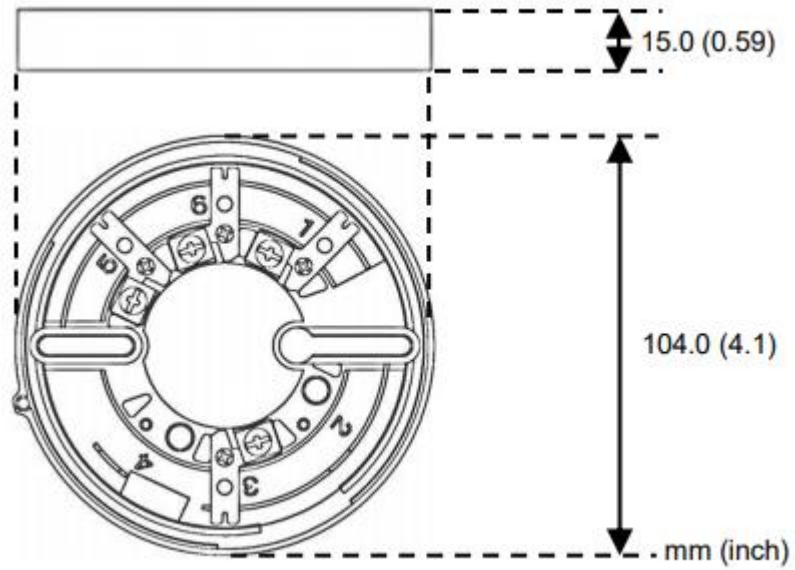


Figure 3: Dimension of VDOT-UB4

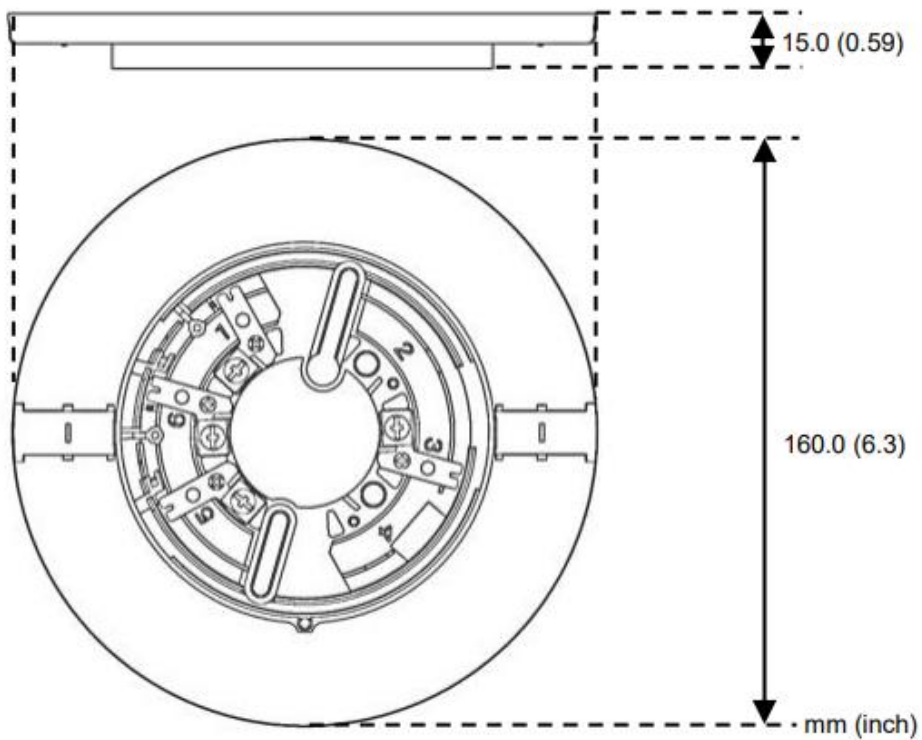


Figure 4: Dimension of VDOT-UB4-6

Section 4 – DETECTOR MODELS

VDOT-UB4 / VDOT-UB4-6 are available for use with the EVA series detectors.

It is important to use the correct detector for each application.

The standard range of detectors available is as follows:

Model	Description
VDOT-PY	Analog addressable photoelectric smoke detector
VDOT-PYH	Analog addressable combination photoelectric smoke and heat detector 57°C (135°F) with 8.3°C (15°F) rate of rise
VDOT-H2	Analog addressable heat detector 57°C (135°F) with 8.3°C (15°F) rate of rise
VDOT-H2-H	Analog addressable heat detector 83°C (181.4°F) high temperature
VDOT-DPH	H Analog addressable combination photoelectric smoke (dual wave length) and heat detector 57°C (135°F) with 8.3°C (15°F) rate of rise

Section 5 – GENERAL OPERATION

VDOT-UB4 / VDOT-UB4-6 mounting bases are used to connect field wiring to the detector head. There are no electronics in the mounting bases.

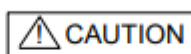
Section 6 – INSTALLATION

The product must be installed in accordance with the applicable NFPA standards, local codes and jurisdictional authorities. Failure to follow these instructions may result in failure of the detector to report an alarm condition.

Note: ZETA ALARM SYSTEMS is not responsible for the product which is improperly installed, maintained and tested. VDOT-UB4 is designed to be mounted to 3-1/2” octagonal electrical box. Meanwhile VDOT-UB4-6 is designed to be mounted to 3-1/2” and 4” octagonal electrical box, and 4” square electrical box. Before installing the product, check the continuity, polarity and insulation resistance of all wiring. Check that siting is in accordance with the site system drawings and conforms to all applicable local codes such as NFPA 72.

In normal use, the VDOT-UB4 / VDOT-UB4-6 will be installed at ceiling level or wall position. Please refer to specific detector instruction manual for details. Pass the field wiring through the cable opening in the center and from the rear of the base. Install the base to the electrical box with screws via the base mounting holes. Connect the field wiring to the base terminals, as detailed in figure 8 and 9, making sure the wiring does not obstruct mounting of the detector head. Install the detector head by inserting it into the base and turning clockwise until the notch in the detector rim aligns with base locking screw. To avoid unauthorized removal, turn the locking screw counterclockwise until the screw extends out about 4 mm (3/16”) from the rim of the base (See Figure 7).

Note: If the detector is installed on a high ceiling where a tool (ladder, etc.) is needed, it is not recommended to use the locking screw.



Smoke and heat detectors are not to be used with detector guards unless the combination has been evaluated and found suitable for that purpose.

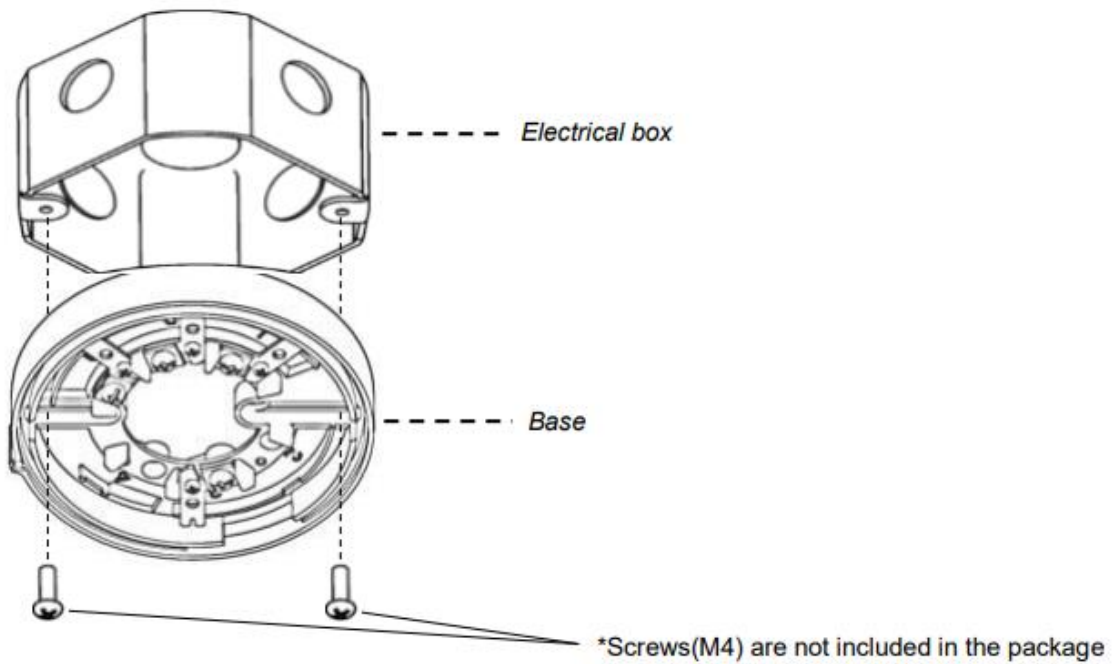


Figure 5: Installation to an electrical box for VDOT-UB4

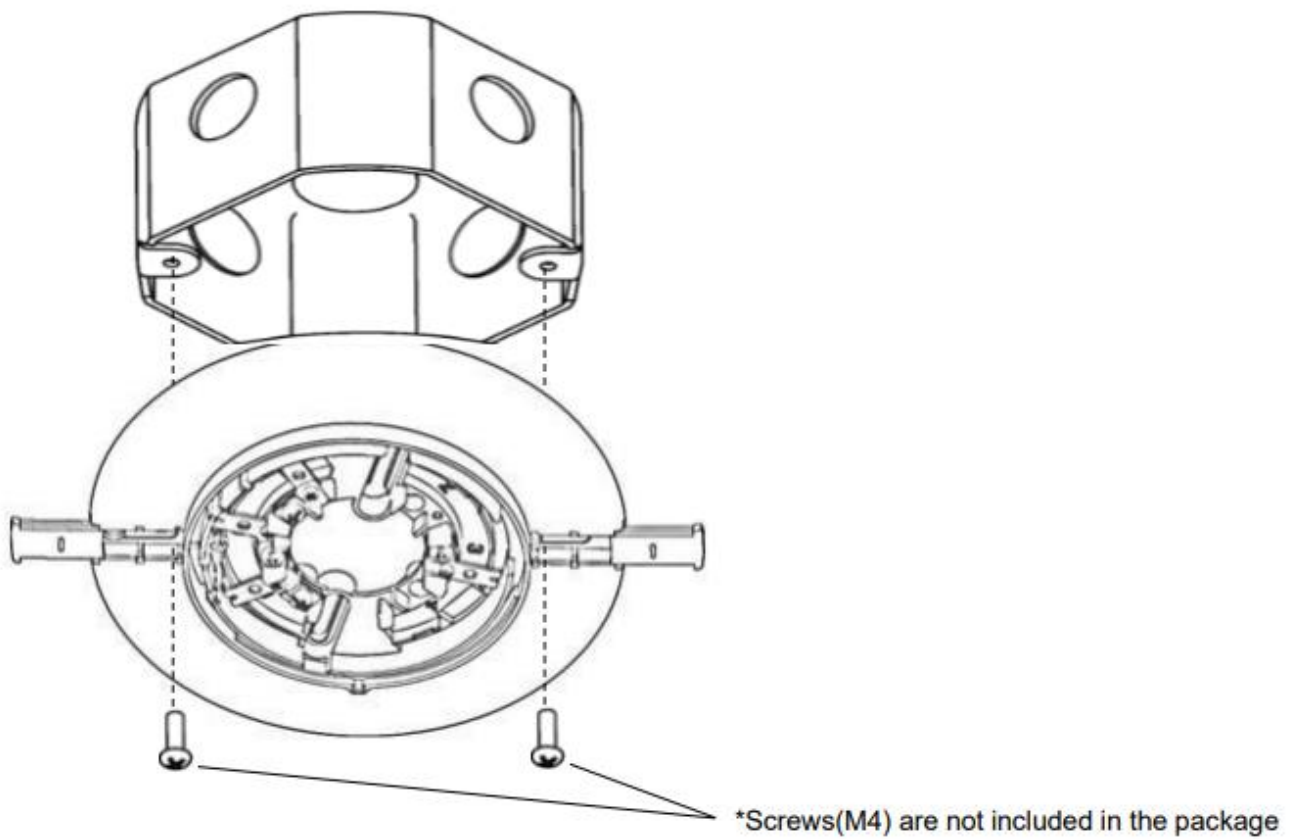


Figure 6: Installation to an electrical box for VDOT-UB4-6

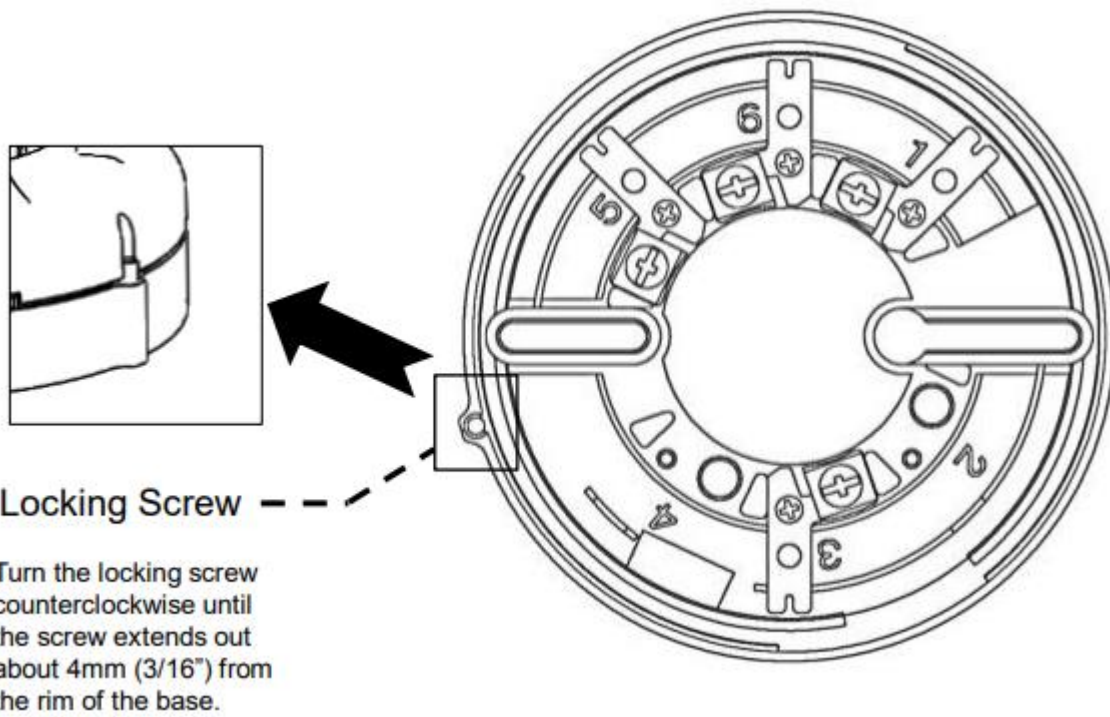


Figure 7: Position of locking screw

Section 7 – CONNECTIONS

Connect to analog detector VDOT-PY, VDOT-PYH, VDOT-H2, VDOT-H2(-2) & VDOT-DPH

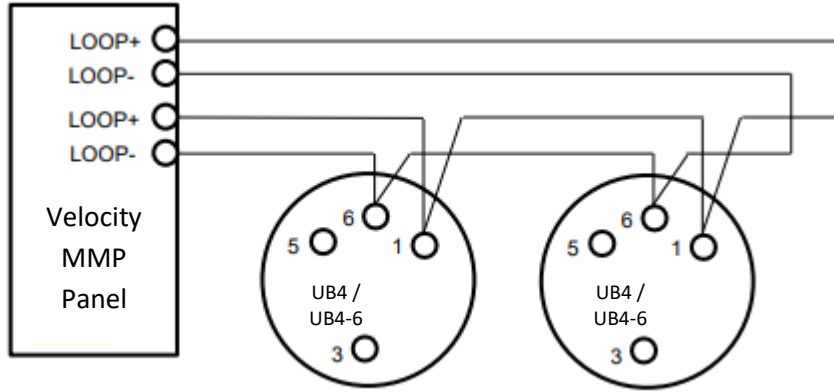


Figure 8: Connection to control Velocity MMP Panel series

CAUTION

Use cable AWG12-20 for wiring. Do not connect different gauge cables at one terminal in order to prevent loosening.

CAUTION

Do not connect cables in reverse polarity. Failure to connect the polarity correctly could result in damage to other equipment.

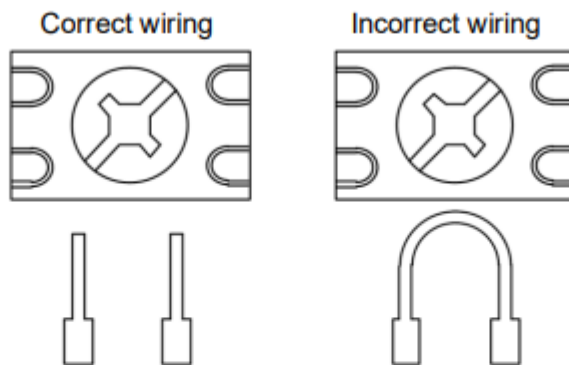


Figure 9: Connection to terminals

CAUTION

For system monitoring – For terminals do not use looped wire under terminals. Break wire run to provide monitoring of connections.

Section 8 – SPECIFICATION

UL Ambient Installation Temperature Range	0°C (32°F) to 65.6°C (150°F)
Storage Temperature Range	-20°C (-4°F) to 60°C (140°F)
Max Relative Humidity	Up to 95%RH, non-condensing
Environment	Indoor dry use only
Terminal	AWG12-20
Dimensions: VDOT-UB4 & VDOT-UB4-6	Φ104mm x 15mm H (Φ4.1" x 0.59" H) / Φ160mm x 15mm H (Φ6.3" x 0.59" H)
Weight: VDOT-UB4 / VDOT-UB4-6	(Approximately) 50g (1.8 ounces) / 95g (3.3 ounces)
Conformity	UL268 and UL521