

**NOTIFICATION APPLIANCE CIRCUIT MODULE - CLASS B**

**VL-NCB**

▪ **Description**

The plug-in VL-NCB module provides power for, and handles communications to the non-addressable notification appliances. It has two notification appliance circuits' that can be wired in the class B configuration. Up to a maximum of 500mA can be connected to each class B circuit. Each circuit is supervised for open, short and earth trouble conditions and will report this status back to a Velocity MMP fire alarm control panel. An additional feature that is included in the VL-NCB module is that it has the ability to program a circuit as a 24v auxiliary special application class B output, which can be used to provide power to external equipment.

▪ **Features**

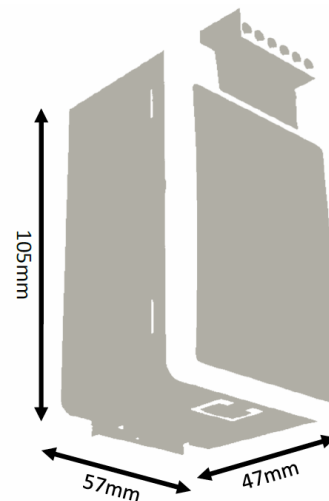
- Designed to meet UL864 10<sup>th</sup> Edition requirements.
- Built-in synchronization circuitry (only compatible with Velocity devices).
- Can be programmed for either unsynchronized bells or synchronised horns/chimes & beacons.
- 2 x Class B NAC output circuit (500mA maximum load per circuit).
- Extensive front unit status indications (see table below).
- Each circuit can be programmed as a 24v auxiliary (500mA maximum load per circuit).
- Quick and easy to install by plugging the RJ45 cable into the module and control panel (cable supplied with unit).
- Power Limited.

▪ **Front Unit Indications**

LED Indication	Description
Wire Break (Yellow)	Flashing yellow when a wire break in the circuit is detected.
Short (Yellow)	Flashing yellow when a short in the circuit is detected.
24v On (Green)	Flashing green when the module is programmed as an unsynchronised bell output. Solid green when the module is programmed to provide a 24v auxiliary output.
Com. (Green)	Pulses green to show communication between the module and the motherboard.



▪ **Dimensions**



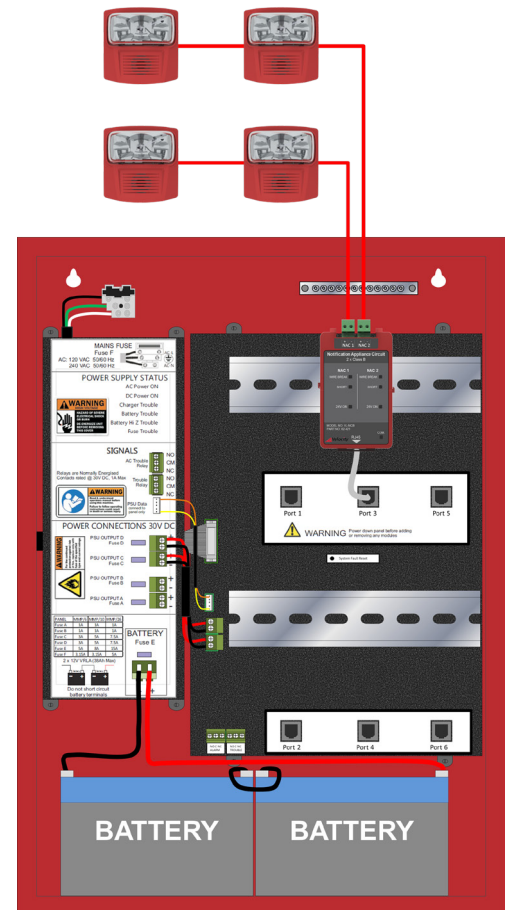
## Specification

Specification	VL-NCB
Part Number	62-421
Design Standard	UL864 10 <sup>th</sup> Edition
Approval	UL Laboratories
Circuit type	Regulated 24V DC. Power limited & Supervised.
Maximum NAC Current	2 x 500mA
Maximum RMS current for a single notification appliance	350mA
Maximum Line Impedance	3.6Ω (1.8Ω per core)
Wiring Class	2 x Class B [Power limited & Supervised]
Special Applications	Auxiliary 24 VDC Output [Power limited & Unsupervised]
Synchronisation	Selectable at each module as :- Sounder (Uses synchronisation protocol for horn strobes) or Bell (Will pulse the output voltage to give the required temporal pattern)
Operating Temperature	0°C (32°F) to 49°C (120°F)
Max Humidity	95% Non-Condensing
Size (mm) (HxWxD)	105mm x 57mm x 47mm
Weight	0.15KG
Terminal Wiring Size	18 AWG to 14 AWG (0.8mm <sup>2</sup> to 2.5mm <sup>2</sup> )

## Compatible Devices/Accessories

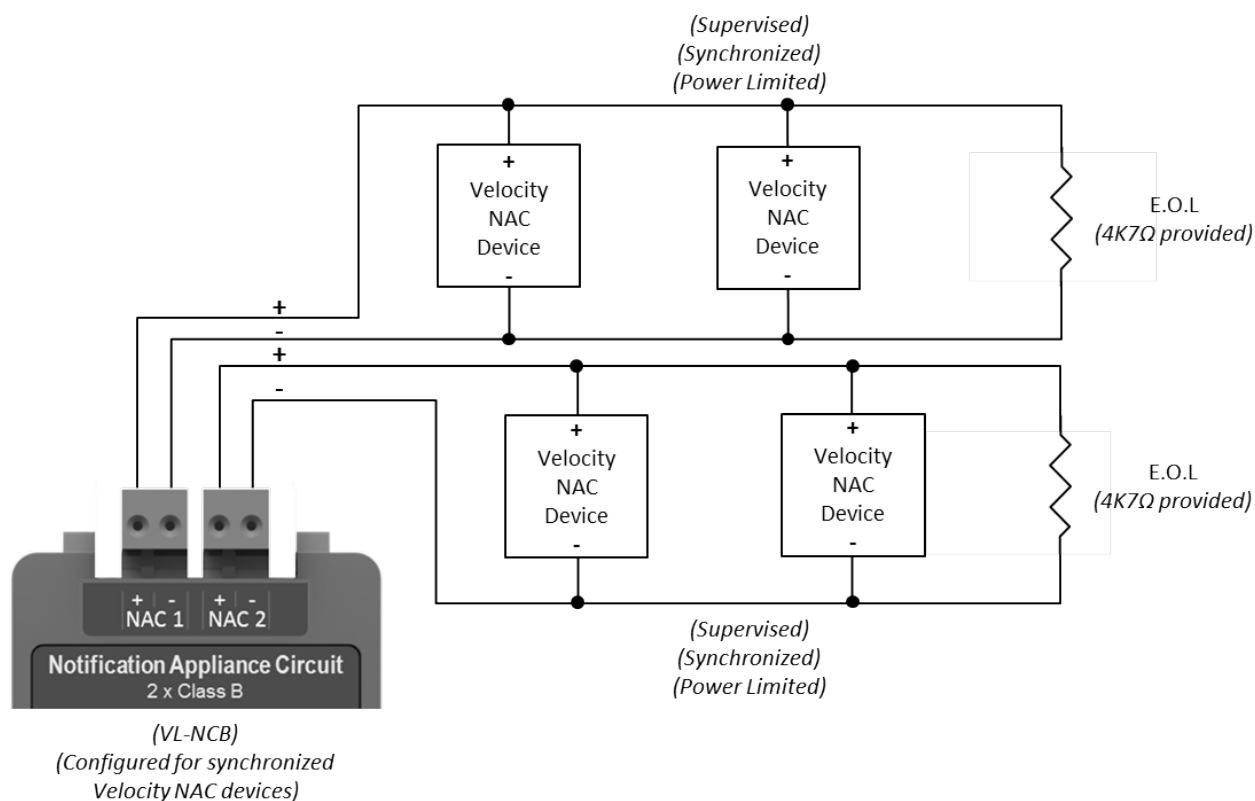
Model No.	Description
VL-MH-W	Mini Horn Notification Appliance (White)
VL-MH-R	Mini Horn Notification Appliance (Red)
VL-W-C-W	Chime Notification Appliance (Wall Mount) (White)
VL-W-C-R	Chime Notification Appliance (Wall Mount) (Red)
VL-W-M-W	Multi-Tone Chime Notification Appliance (Wall Mount) (White)
VL-W-M-R	Multi-Tone Chime Notification Appliance (Wall Mount) (Red)
VL-W-CS-W	Chime & Multi-Candela Notification Appliance (Wall Mount) (White)
VL-W-CS-R	Chime & Multi-Candela Notification Appliance (Wall Mount) (Red)
VL-C-CS-W	Chime & Multi-Candela Notification Appliance (Ceiling Mount) (White)
VL-C-CS-R	Chime & Multi-Candela Notification Appliance (Ceiling Mount) (Red)
VL-W-MS-W	Multi-Tone & Multi-Candela Notification Appliance (Wall Mount) (White)
VL-W-MS-R	Multi-Tone & Multi-Candela Notification Appliance (Wall Mount) (Red)
VL-C-MS-W	Multi-Tone & Multi-Candela Notification Appliance (Ceiling Mount) (White)
VL-C-MS-R	Multi-Tone & Multi-Candela Notification Appliance (Ceiling Mount) (Red)
VL-W-S-W	Multi-Candela Notification Appliance (Wall Mount) (White)
VL-W-S-R	Multi-Candela Notification Appliance (Wall Mount) (Red)
VL-C-S-W	Multi-Candela Notification Appliance (Ceiling Mount) (White)
VL-C-S-R	Multi-Candela Notification Appliance (Ceiling Mount) (Red)

## Interior Panel View

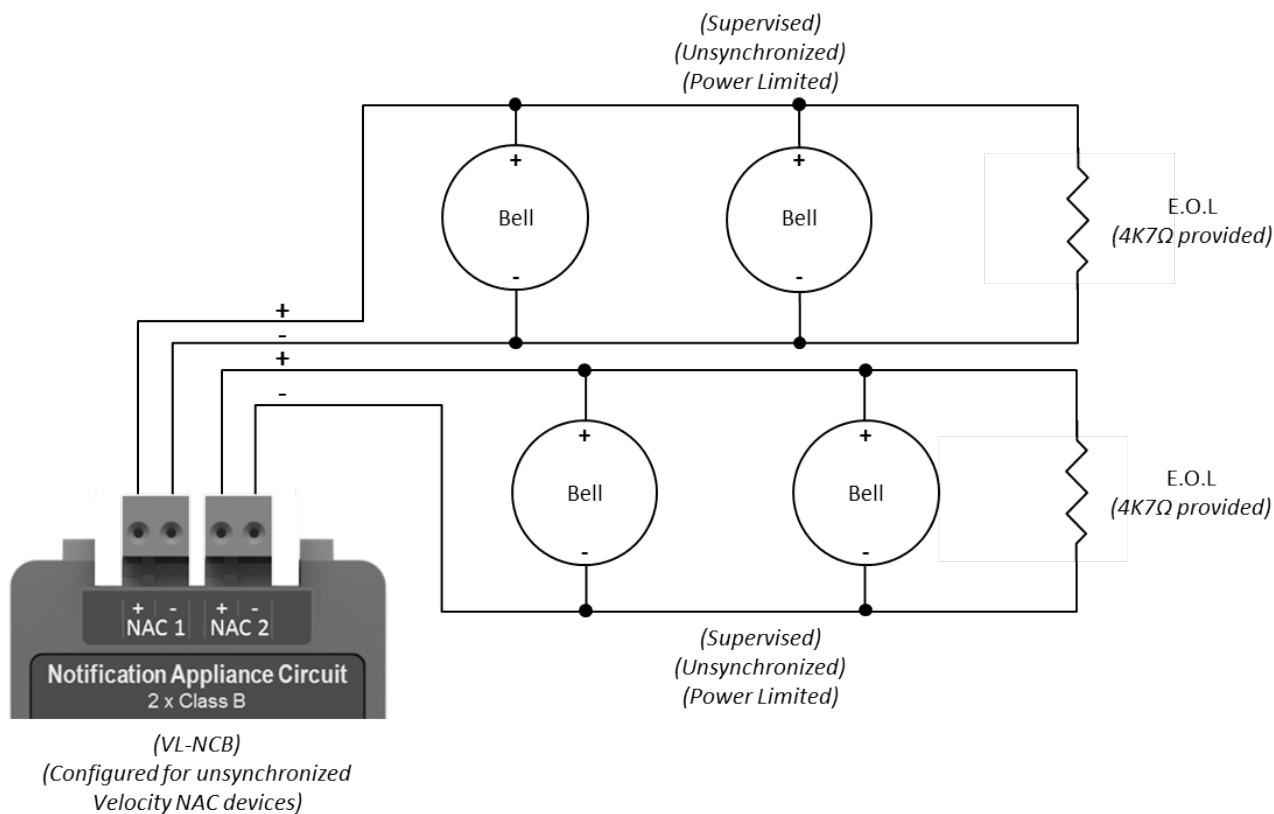


▪ **Typical Wiring Diagram (Class B) - Synchronized Velocity NAC Devices**

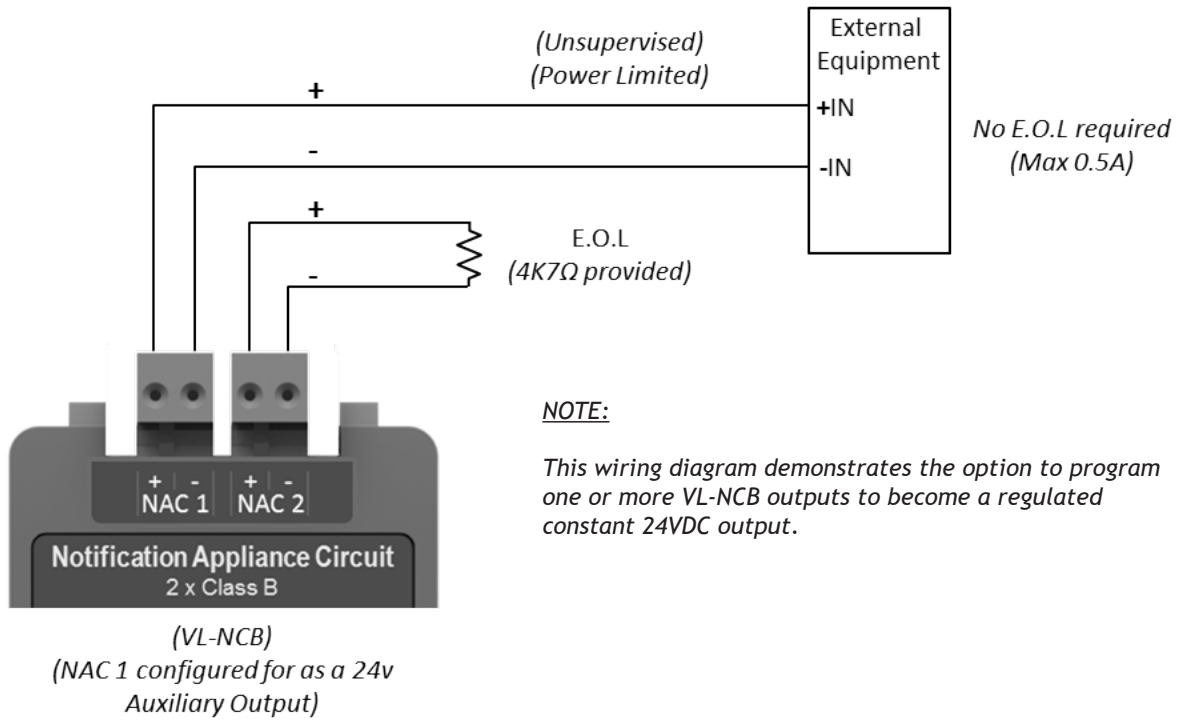
(For more information on wiring, please refer to the VL-NCB installation guide (Doc:\_\_\_\_\_))



▪ **Typical Wiring Diagram (Class B) - Unsynchronized Velocity NAC Devices**



▪ Typical Wiring Diagram (Auxiliary 24VDC)



All specifications are subject to change without any notice.  
For more information, contact with VELOCITY.



Zeta Alarms Limited  
72-78 Morfa Road, Swansea  
SA1 2EN  
Tel: +44 1792 455 175 FAX: +44 1792 455 176

Distributed By