

Description

The Velocity ZT-WSSPK24 series is an outdoor listed, wall mount speaker/strobe designed to meet the code requirements for visual and voice communications. The ZT-WSSPK24 series are quality speaker products offering both dependable evacuation signalling and visual alarms, or a combination of both.

The ZT-WSSPK24 speaker/strobe offers a fixed 15/75 candela and provides a 25 or 70.7 VRMS speaker with field selectable power taps of 1/8W, 1/4W, 1/2W, 1W, 2W or 4W.

Included with the ZT-WSSPK24 series Speaker/strobes is an outdoor listed back box, providing protection from weather related conditions and allows the necessary full candela output.

The ZT-WSSPK24 devices are listed to ANSI/UL 1480, ANSI/UL 1638 and CAN/ULC S526 and/or CAN/ULC S541.



Features

- Speaker/strobe nominal voltage 24 VDC
- 24VDC fixed 15/75 candela
- Outdoor listed when mounted with outdoor back box
- Unit dimensions: 6.1" (15.50 cm) square x 4.06" (10.31 cm) deep
- Speaker voltage 25 or 70.7 VRMS standard, field selectable
- Field selectable power taps: 1/8W, 1/4W, 1/2W, 1W, 2W or 4W
- High quality dBA output (intelligible)
- Frequency range 400-4000 Hz
- Screw terminals, separate in/out wiring (12-18 gauge)
- Tamperproof grill
- Faceplate available in red or off-white
- Wall mount only

Product Listings



- ANSI/UL 1480 and ANSI/UL 1638 Listed
- CAN/ULC S526 and/or CAN/ULC S541 Listed
- CSFM: 7320-0569:0141

SSPK24WLP Strobe Current Ratings (mA)

24 VDC (16-33 Volts)		
Candela	24 VDC	UL Max
15/75	63 mA	96 mA

Speaker dBA @ 10 ft.

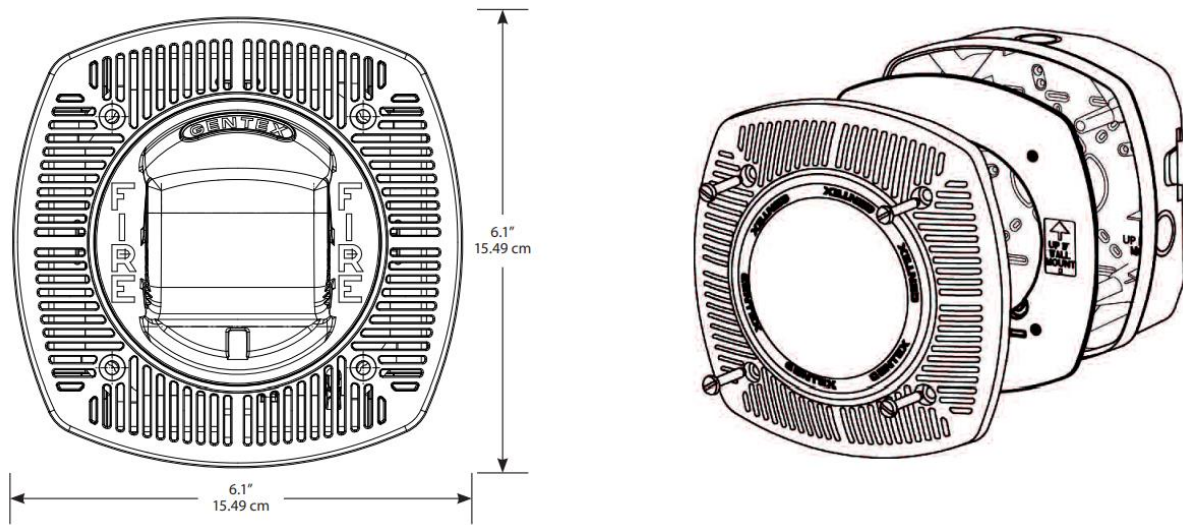
Input Watts	25 Volts	70.7 Volts
1/8	74.6 dBA	73.7 dBA
1/4	77.7 dBA	76.7 dBA
1/2	80.5 dBA	79.6 dBA
1	83.1 dBA	82.5 dBA
2	85.6 dBA	85.4 dBA
4	87.9 dBA	87.9 dBA

Ordering Information

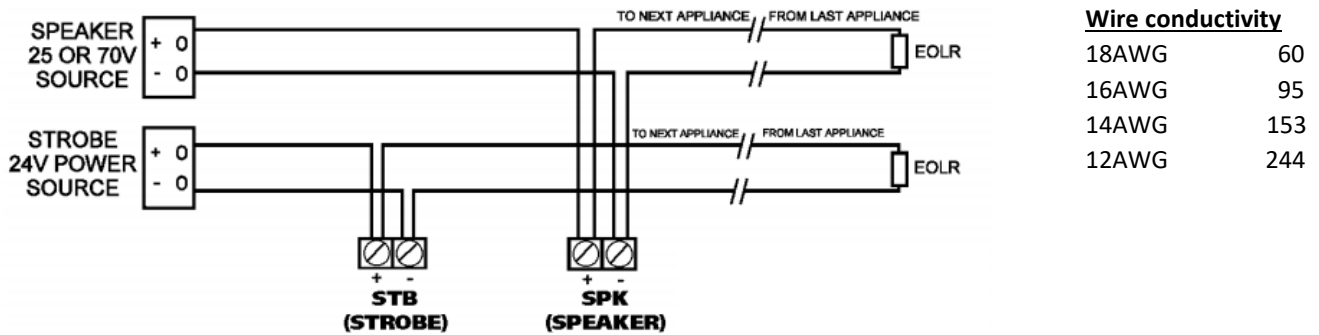
ZT-WSSPK24-15/75WR Outdoor Speaker / Strobe, 25 or 70.70 VRMS, fixed 15/75 Candela, wall mount, shipped with outdoor back box, FIRE Text, Red

ZT-WSSPK24-15/75WW Outdoor Speaker / Strobe, 25 or 70.70 VRMS, fixed 15/75 Candela, wall mount, shipped with outdoor back box, FIRE Text, White

Dimensions



Wiring Diagram



*MAX. WIRE DISTANCE (IN FEET) = $\frac{\text{PANEL VOLTAGE} - \text{DEVICE MINIMUM VOLTAGE}}{\text{TOTAL CURRENT DRAW}} \times \text{WIRE CONDUCTIVITY (STROBE ONLY)}$

Notes

- Indoor operating temperature: 32°F to 120°F (0°C to 49°C)
- Outdoor operating temperature: -31°F to 150°F (-35°C to 66°C)
- The ZT-WSSPK24-15/75WR & ZT-WSSPK24-15/75WW is listed for outdoor use
- For nominal and peak current across ANSI/UL regulated voltage range for filtered DC power and unfiltered (FWR[Full Wave Rectified]) power, see instruction manual
- This appliance is not recommended for use on coded or pulsing signalling circuits

All specifications are subject to change without any notice. For more information, contact Velocity website.

Distributed By:



Zeta Alarms Limited
72-78 Morfa Road, Swansea.
SA1 2EN
Tel: +44 1792 455 175 Fax: 1792 455 176