

Description

The ZT-MNS-3-REL relay card provides three Form-C relay outputs to the ZT-MNS-100BAS Voice Evacuation Panel.

The three outputs are typically used as Active, Trouble, and a spare, but can be configured for any application required.

The Form-C contacts provide Normally Open (N.O.) and Normally Closed (N.C.) operation. Each is rated for 30Vdc and 3Amps.



Features

- 3 Form-C contact relay outputs

Specifications

Specifications are subject to change without notice due to product improvements.

Input

Voltage	24 V _{DC} regulated
Current	30 mA standby 70 mA active

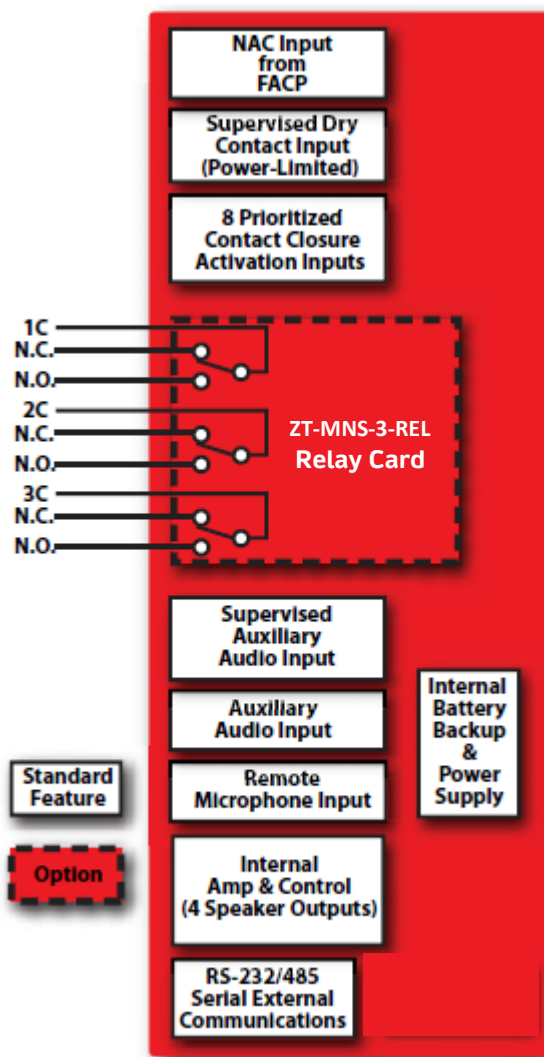
Relay Outputs

Contacts	3, Form-C, dry contact 30 V _{DC} , 3 Amp max common (C), normally open (N.O.) and normally closed (N.C.) per relay
----------	--

Temperature Range

Humidity	32°F to 120°F (0°C to 49°C)
Approvals/Listings	90% maximum, non-condensing

ETL Listed for UL 864 9th Edition (Control Units and Accessories for Fire Alarm Systems) and UL 1711 4th Edition (Amplifiers for Fire Protective Systems); Complies with UL 2572 (Control and Communication Units for Mass Notification Systems).



All specifications are subject to change without any notice. For more information, contact Velocity website.

Distributed By: