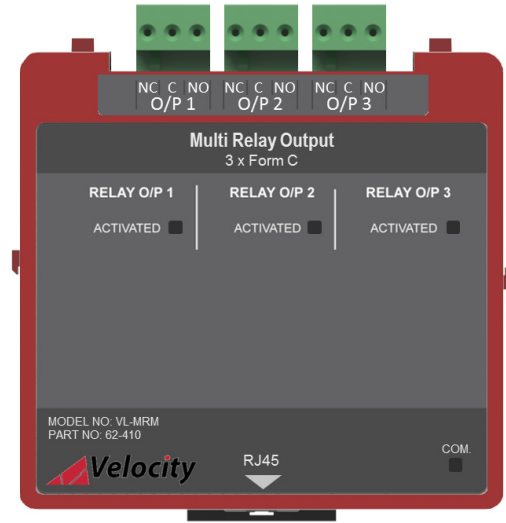


MULTI RELAY MODULE - FORM C

VL-MRM

▪ **Description**

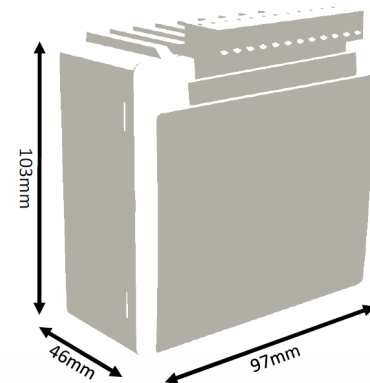
The VL-MRM is a relay module that is designed to be DIN mounted inside of a Velocity control panel. It's powered and is interfaced to the Velocity MMP via a RJ45 connection. The module has three form C relays which can be typically used to control lift operation during an alarm, start fire pumps or stop ventilation fans etc. Each relay output can be configured as a common alarm, common trouble, common supervisory or a programmable output via the Velocity MMP settings.



▪ **Features**

- Designed to meet UL864 10th Edition requirements.
- 3 x Form C relay outputs.
- Each relay can be programmed to activate on alarm, supervisory, or trouble.
- Extensive front unit status indications (See table below).
- Quick and easy to install by plugging the RJ45 cable into the module and control panel (cable supplied with unit).

▪ **Dimensions**



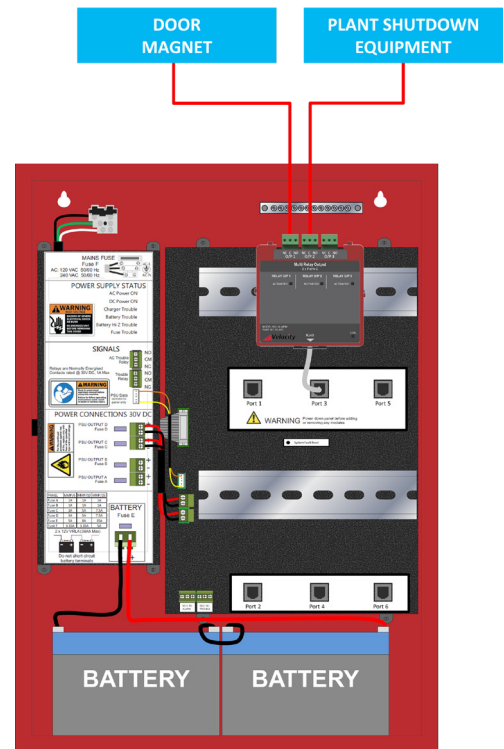
▪ **Front Unit Indications**

LED Indication	Description
Activated (Red)	On steady when the relay is active for each relay.
Com. (Green)	Pulses to show communication between the module and the motherboard.

▪ **Specification**

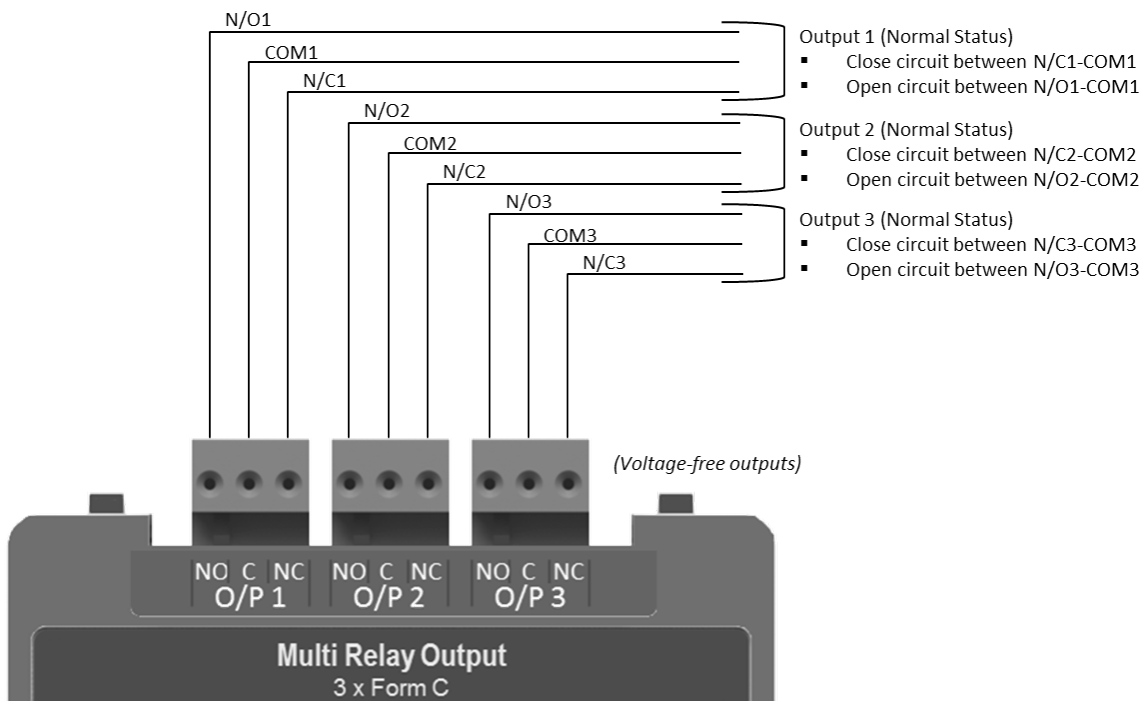
Specification	VL-MRM
Part Number	62-410
Design Standard	UL864 10 th Edition
Approval	UL Laboratories
Relay Type	Form C x 3
Switching Capacity	5 A, 30 VDC (resistive) 5 A, 250 VAC (general use)
Operating Temperature	0 °C (32 °F) to 49 °C (120 °F)
Max Humidity	93% Non-Condensing
Size (mm) (HxWxD)	103mm x 97mm x 46mm
Weight	0.2KG
Terminal Wiring Size	18 AWG to 14 AWG (0.8mm ² to 2.5mm ²)
Relay Modes	Common alarm, common trouble, Common supervisory or Programmable

▪ **Interior Panel View**



▪ **Typical Wiring Diagram**

(For more information on wiring, please refer to the VL-MRM installation guide (Doc: _____))



All specifications are subject to change without any notice.
For more information, contact with VELOCITY.



Zeta Alarms Limited
72-78 Morfa Road, Swansea
SA1 2EN
Tel: +44 1792 455 175 FAX: +44 1792 455 176

Distributed By