

ZT-SSPKCLP & ZT-SSPK24CLP

Universal Mount Speaker & Ceiling Mount Speaker/Strobe

Description

The Velocity **ZT-SSPKCLP** is a universal mount speaker and the Velocity **ZT-SSPK24CLP** is a ceiling mount, selectable candela speaker/strobe designed to meet the code requirements for visual and voice communications. The ZT-SSPKCLR series are quality speaker products offering both dependable evacuation signalling and visual alarms, or a combination of both.

The high output tamperproof candela selections are 15, 30, 75, 95 and 115. The unit can be mounted in a 4" square x 2-1/8" back box, an extension ring is not needed. The ZT-SSPKCLR provides a 25 or 70.7 VRMS speaker with field selectable power taps of 1/8W, 1/4W, 1/2W, 1W, 2W or 4W.

The ZT-SSPKCLR devices are listed to ANSI/UL 1971, ANSI/UL 2043 and CAN/ULC S526 and/or CAN/ULC S541.



Features

- Speaker/strobe nominal voltage 24 VDC
- 24VDC field selectable candelas: 15, 30, 75, 95 & 115
- Speaker unit dimensions:
6.1" (15.50 cm) square x 2.95" (7.5 cm) deep
- Speaker/strobe unit dimensions:
6.1" (15.50 cm) square x 4.29" (10.9 cm) deep
- Speaker voltage 25 or 70.7 VRMS standard, field selectable
- Field selectable power taps: 1/8W, 1/4W, 1/2W, 1W, 2W or 4W
- High quality dBA output (intelligible)
- Frequency range 400-4000 Hz
- Screw terminals, separate in/out wiring (12-18 gauge)
- Mount to a standard 4" x 2-1/8" deep back box
- Tamperproof grill
- Faceplate available in red or off-white
- Ceiling mount speaker strobe
- Universal mount speaker

Ordering Information

ZT-SSPKCLR	Speaker Only, 25 or 70.70 VRMS, Universal mount, Red
ZT-SSP-15W	Speaker Only, 25 or 70.70 VRMS, Universal mount, White
ZT-SSPK24CLPR	Speaker / Strobe, 25 or 70.70 VRMS, Ceiling mount, FIRE Text, Red
ZT-SSPK24CLPW	Speaker / Strobe, 25 or 70.70 VRMS, Ceiling mount, FIRE Text, White

Product Listings



- ANSI/UL 1480, ANSI/UL 1971 and ANSI/UL 2043 Listed
- CAN/ULC S526 and/or CAN/ULC S541 Listed
- CSFM: 7320-0569:0137
- MEA: 580-06-E Vol. 3

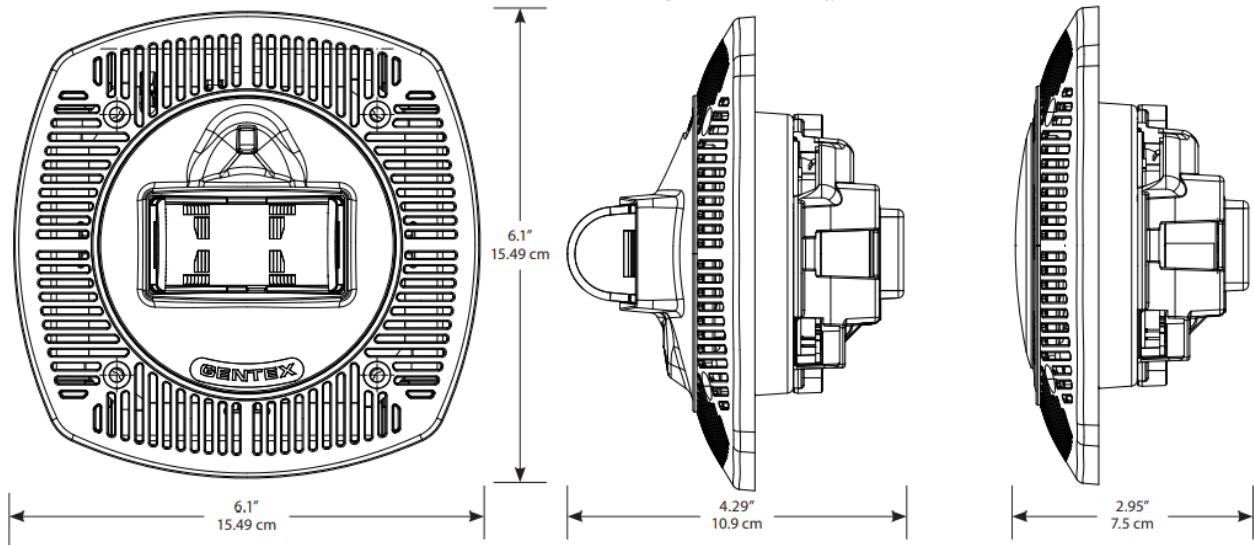
SSPK24CLP Strobe Current Ratings (mA)

Candela	24 VDC (16-33 Volts)	
	24 VDC	UL Max
15	72 mA	120 mA
30	101 mA	120 mA
75	167 mA	200 mA
95	200 mA	220 mA
115	214 mA	290 mA

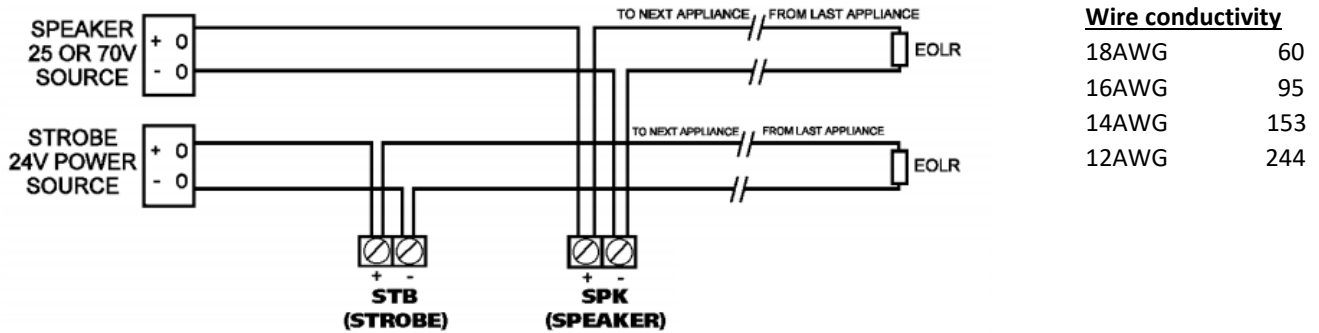
Speaker dBA @ 10 ft.

Input Watts	25 Volts	70.7 Volts
1/8	74.6 dBA	73.7 dBA
1/4	77.7 dBA	76.7 dBA
1/2	80.5 dBA	79.6 dBA
1	83.1 dBA	82.5 dBA
2	85.6 dBA	85.4 dBA
4	87.9 dBA	87.9 dBA

Dimensions



Wiring Diagram



*MAX. WIRE DISTANCE (IN FEET) = $\frac{\text{PANEL VOLTAGE} - \text{DEVICE MINIMUM VOLTAGE}}{\text{TOTAL CURRENT DRAW}} \times \text{WIRE CONDUCTIVITY (STROBE ONLY)}$

Notes

- Operating temperature: 32°F to 120°F (0°C to 49°C)
- The ZT-SSPKCLPR & ZT-SSPKCLPW are not listed for outdoor use
- For nominal and peak current across ANSI/UL regulated voltage range for filtered DC power and unfiltered (FWR[Full Wave Rectified]) power, see instruction manual
- This appliance is not recommended for use on coded or pulsing signalling circuits

All specifications are subject to change without any notice. For more information, contact Velocity website.



Zeta Alarms Limited
72-78 Morfa Road, Swansea.
SA1 2EN
Tel: +44 1792 455 175 Fax: 1792 455 176

Distributed By: